

ALSCO

TM

Industrial Products, Inc.

"Specializing in Industrial Plastics"

35th Edition



770-941-3030
800-849-3030
alscoplastics.com

SWIVEL ELBOW



Tube-to-Pipe

Tube O.D.	Thread NPTF	Bag Qty.	Box Qty.	Acetal #	Price \$	Polypropylene #	Price \$
5/32	1/8	10	400	PM090421S	3.06	N/A	N/A
5/32	1/4	10	300	PM090422S	3.51	N/A	N/A
3/16	1/8	10	200	PI090621S	2.55	N/A	N/A
1/4	1/8	10	200/300	PI090821S	2.92	PP090821W	2.71
1/4	1/4	10	200	PI090822S	2.92	PP090822W	2.71
5/16	1/8	10	200	PM090821S	4.44	N/A	N/A
5/16	1/4	10	200	PM090822S	3.88	N/A	N/A
5/16	3/8	10	200	PM090823S	4.48	N/A	N/A
3/8	1/8	10	200	PI091221S	4.27	N/A	N/A
3/8	1/4	10	100	PI091222S	4.09	PP091222W	3.86
3/8	3/8	10	100	PI091223S	4.28	PP091223W	4.04
1/2	1/4	10	100	PI091622S	5.02	N/A	N/A
1/2	3/8	10	50	PI091623S	5.51	N/A	N/A
1/2	1/2	10	50	PI091624S	5.51	N/A	N/A

REDUCING ELBOW



Tube-to-Tube

Tube O.D.	Tube O.D.	Bag Qty.	Box Qty.	Acetal #	Price \$	Polypropylene #	Price \$
5/16	5/32	10	300	PM210804S	2.47	N/A	N/A
5/16	3/16	10	200	PI211006S	2.47	N/A	N/A
5/16	1/4	10	200/300	PI211008S	2.53	PP211008W	2.44
3/8	3/16	10	200	PI211206S	3.29	N/A	N/A
3/8	1/4	10	200	PI211208S	3.39	PP211208W	3.18
3/8	5/16	10	200	PI211210S	3.39	N/A	N/A
1/2	5/16	10	100	PI211610S	4.00	N/A	N/A
1/2	3/8	10	100/150	PI211612S	4.00	PP211612W	3.93

PLUG IN ELBOW



Stem O.D.	Tube O.D.	Bag Qty.	Box Qty.	Acetal #	Price \$	Polypropylene #	Price \$
5/32	5/32	10	500	PM220404S	1.83	N/A	N/A
3/16	3/16	10	500	PI220606S	1.83	N/A	N/A
1/4	1/4	10	500	PI220808S	1.83	PP220808W	1.71
5/16	5/16	10	400	PM220808S	2.32	PPM220808W	2.33
3/8	3/16	10	300	PI221206S	2.46	N/A	N/A
3/8	1/4	10	300	PI221208S	2.46	PP221208W	2.33
3/8	5/16	10	200	PI221210S	2.46	N/A	N/A
3/8	3/8	10	200	PI221212S	3.12	PP221212W	2.88
1/2	1/2	10	100	PI221616S	3.73	PP221616W	3.53
3/8	3/8	10	200	N/A	N/A	PP221212W-B	2.89

TWO-WAY DIVIDER



Tube O.D.	Bag Qty.	Box Qty.	Acetal #	Price \$	Polypropylene #	Price \$
1/4	10	150	PI2308S	2.90	N/A	N/A
5/16	10	100	PM2308S	2.93	N/A	N/A
3/8	10	100/150	PI2312S	3.26	PP2312W	3.15
1/2	5	100	PI2316S	5.56	N/A	N/A

UNEQUAL TWO-WAY DIVIDER



T/OD Inlet	T/OD Outlet	Bag Qty.	Box Qty.	Acetal #	Price \$	Polypropylene #	Price \$
3/8	5/16	10	100	PI241210S	3.10	N/A	N/A
3/8	1/4	10	200	N/A	N/A	PP241208W	3.46

TUBE TO HOSE STEM



Stem O.D.	Hose I.D.	Bag Qty.	Box Qty.	Acetal #	Price \$	Polypropylene #	Price \$
1/4	3/16	10	500	PI250806S	1.14	N/A	N/A
1/4	1/4	10	500	PI250808S	1.14	N/A	N/A
1/4	5/16	10	500	PI250810S	1.04	N/A	N/A
5/16	3/16	10	500	PI251006S	1.14	N/A	N/A
5/16	1/4	10	500	PI251008S	1.28	N/A	N/A
5/16	5/16	10	500	PM250808S	1.28	N/A	N/A
5/16	3/8	10	400	PI251012S	1.62	N/A	N/A
3/8	1/4	10	400	PI251208S	1.66	N/A	N/A
3/8	5/16	10	400	PI251210S	1.66	N/A	N/A
3/8	3/8	10	400	PI251212S	1.79	PP251212W	1.68
3/8	1/2	10	300	PI251216S	2.42	PP251216W	2.28
1/2	3/8	10	300	PI251612S	1.93	PP251612W	1.82
1/2	1/2	10	200/250	PI251616S	2.51	PP251616W	2.26

TUBE TO HOSE STEM LONG VERSION



Stem O.D.	Hose I.D.	Bag Qty.	Box Qty.	Acetal #	Price \$	Polypropylene #	Price \$
5/16	3/8	10	400	PI251012SL	1.73	N/A	N/A
3/8	3/8	10	400	PI251212SL	1.82	N/A	N/A

TUBE TO HOSE ELBOW



Stem O.D.	Hose I.D.	Bag Qty.	Box Qty.	Acetal #	Price \$	Polypropylene #	Price \$
1/4	1/4	10	500	PI290808S	1.53	N/A	N/A
1/4	5/16	10	500	PI290810S	1.80	N/A	N/A
5/16	1/4	10	500	PI291008S	1.58	N/A	N/A
5/16	5/16	10	500	PM290808S	1.80	N/A	N/A
3/8	1/4	10	400	PI291208S	1.93	N/A	N/A
3/8	5/16	10	400	PI291210S	2.26	N/A	N/A

SWIVEL BRANCH TEE



Tube-to-Pipe

Tube O.D.	Thread NPTF	Bag Qty.	Box Qty.	Acetal #	Price \$	Polypropylene #	Price \$
5/32	1/8	10	200	PM100421S	3.81	N/A	N/A
5/32	1/4	10	200	PM100422S	3.81	N/A	N/A
3/16	1/8	10	200	PI100621S	3.90	N/A	N/A
1/4	1/8	10	200	PI100821S	3.47	PP100821W	3.22
1/4	1/4	10	200	PI100822S	3.47	PP100822W	3.22
5/16	1/8	10	100	PM100821S	4.27	N/A	N/A
5/16	1/4	10	100	PM100822S	4.27	N/A	N/A
5/16	3/8	10	100	PM100823S	4.30	N/A	N/A
3/8	1/4	10	100	PI101222S	4.23	PP101222W	3.88
3/8	3/8	10	100	PI101223S	4.43	PP101223W	4.07
1/2	3/8	10	50	PI101623S	5.74	N/A	N/A
1/2	1/2	10	50	PI101624S	5.74	N/A	N/A

SWIVEL MALE RUN TEE



Tube-to-Pipe

Tube O.D.	Thread NPTF	Bag Qty.	Box Qty.	Acetal #	Price \$	Polypropylene #	Price \$
5/32	1/8	10	400	PM110421S	3.18	N/A	N/A
5/32	1/4	10	400	PM110422S	3.18	N/A	N/A
3/16	1/8	10	200	PI110621S	3.25	N/A	N/A
1/4	1/8	10	200	PI110821S	3.47	PP110821W	3.22
1/4	1/4	10	200	PI110822S	3.47	PP110822W	3.22
5/16	1/8	10	100	PM110821S	3.56	N/A	N/A
5/16	1/4	10	100	PM110822S	4.27	N/A	N/A
5/16	3/8	10	100	PM110823S	3.58	N/A	N/A
3/8	1/4	10	100	PI111222S	4.23	PP111222W	3.88
3/8	3/8	10	100	PI111223S	4.43	PP111223W	4.07
1/2	3/8	10	50	PI111623S	5.74	N/A	N/A
1/2	1/2	10	50	PI111624S	5.74	N/A	N/A

BULKHEAD UNION



Tube O.D.	Hole Dia.	Bag Qty.	Box Qty.	Acetal #	Price \$	Polypropylene #	Price \$
5/32	0.67	10	200	PM1204S	2.80	N/A	N/A
3/16	0.67	10	200	PI1206S	3.20	N/A	N/A
1/4	0.67	10	200	PI1208S	3.42	PP1208W	3.23
5/16	0.83	10	100	PM1208S	4.31	N/A	N/A
3/8	0.83	10	100	PI1212S	4.46	PP1212W	4.21
1/2	1.06	5	50	PI1216S	7.62	PP1216W	6.49

REDUCING BULKHEAD UNION



Tube O.D.	Tube O.D.	Hole Dia.	Bag Qty.	Box Qty.	Acetal #	Price \$	Polypropylene #	Price \$
1/2	1/4	0.83	5,000	5,000	NC392-02	6.61	N/A	N/A
3/8	1/4	0.83	10	200/150	PI121208S	4.46	PP121208W	4.03

REDUCING UNION CONNECTOR



Tube-to-Tube

Tube O.D.	Tube O.D.	Bag Qty.	Box Qty.	Acetal #	Price \$	Polypropylene #	Price \$
1/4	3/16	10	200	PI200806S	1.97	N/A	N/A
5/16	5/32	10	300	PM200804S	1.95	N/A	N/A
5/16	3/16	10	200	PI201006S	1.97	N/A	N/A
5/16	1/4	10	200	PI201008S	1.97	N/A	N/A
3/8	3/16	10	200	PI201206S	2.42	N/A	N/A
3/8	1/4	10	200/250	PI201208S	2.43	PP201208W	2.29
3/8	5/16	10	200	PI201210S	2.47	N/A	N/A
1/2	1/4	10	200	PI201608S	3.07	N/A	N/A
1/2	5/16	10	100	PI201610S	3.19	N/A	N/A
1/2	3/8	10	100/150	PI201612S	3.29	PP201612W	3.11

REDUCING TEE



Tube-to-Tube

T/OD End	T/OD End	T/OD Branch	Bag Qty.	Box Qty.	Acetal #	Price \$	Polypropylene #	Price \$
3/8	3/8	1/4	10	150	PI301208S	4.13	N/A	N/A
1/2	1/2	3/8	10	50	PI301612S	4.32	N/A	N/A
1/4	1/4	3/8	10	150	N/A	N/A	PP30080812W	3.20
3/8	1/4	3/8	10	150	N/A	N/A	PP30120812W	3.10
3/8	3/8	1/4	10	150	N/A	N/A	PP30121208W	3.09
1/2	1/2	3/8	10	50	N/A	N/A	PP301612W	4.08

FIXED TEE ADAPTER



T/OD End	T/OD End	NPTF Branch	Bag Qty.	Box Qty.	Acetal #	Price \$	Polypropylene #	Price \$
3/8	3/8	3/8	10	150	N/A	N/A	PP641223W	3.05

STACKABLE TEE CONNECTOR



T/OD Inlet	Stem	T/OD Outlet	Bag Qty.	Box Qty.	Acetal #	Price \$	Polypropylene #	Price \$
3/8	3/8	3/8	10	150	N/A	N/A	PP531212W	2.57

FAUCET CONNECTOR



Tube O.D.	Thread UNS	Bag Qty.	Box Qty.	Acetal #	Price \$	Polypropylene #	Price \$
1/4	7/16-24	10	250/400	CI3208U7S	2.29	PP3208U7W	2.45
5/16	7/16-24	10	300	CI3210U7S	2.73	N/A	N/A
3/8	7/16-24	10	200/300	CI3212U7S	2.55	PP3212U7W	2.53

NOT Suitable For Air

FEMALE CONNECTOR



Tube O.D.	Thread NPTF	Bag Qty.	Box Qty.	Acetal #	Price \$	Polypropylene #	Price \$
1/4	1/8	10	400	N/A	N/A	PP450821W	3.70
1/4	1/4	10	400	PI450822S	2.81	PP450822W	3.81
3/8	1/4	10	250	PI451222S	3.23	PP451222W	3.93
3/8	3/8	10	150	N/A	N/A	PP451223W	5.17

FEMALE CONNECTOR



Spears® Special Reinforced Fittings with Stainless Steel Collars



Tee
Socket x Socket x SR FPT

Size (in.)	Mfg Part #	Price \$
1/2	802-005SR	8.93
3/4	802-007SR	12.63
1	802-010SR	14.83
1 1/4	802-012SR	17.65
1 1/2	802-015SR	18.65
2	802-020SR	36.48
3	802-030SR	78.85
4	802-040SR	147.86



Reducing Tee
Socket x Socket x SR FPT

Size (in.)	Mfg Part #	Price \$
1/2 x 1/4	802-072SR	8.93
3/4 x 1/4	802-098SR	11.60
3/4 x 1/2	802-101SR	11.60
1 x 1/4	802-128SR	27.46
1 x 1/2	802-130SR	14.32
1 x 3/4	802-131SR	27.46
1 1/4 x 1/4	802-164SR	29.28
1 1/4 x 1/2	802-166SR	19.41
1 1/4 x 1	802-168SR	19.80
1 1/2 x 1/4	802-207SR	34.17
1 1/2 x 1	802-211SR	21.44
1 1/2 x 1 1/4	802-212SR	21.44
2 x 1/4	802-245SR	39.46
2 x 1/2	802-247SR	39.46
2 x 3/4	802-248SR	39.46
2 1/2 x 1/2	802-287SR	29.08
3 x 1/4	802-331SR	75.35
3 x 1/2	802-333SR	77.53
4 x 1/4	802-413SR	103.76
4 x 1/2	802-415SR	112.77



Tee
SR FPT x SR FPT x SR FPT

Size (in.)	Mfg Part #	Price \$
1/4	805-002SR	10.39
3/8	805-003SR	10.39
1/2	805-005SR	10.73
1	805-007SR	11.79
1 1/2	805-010SR	28.02
1 1/2	805-015SR	32.80
2	805-020SR	34.48



90° El
Socket x SR FPT

Size (in.)	Mfg Part #	Price \$
1/2	807-005SR	8.56
3/4	807-007SR	10.17
1	807-010SR	10.28
1 1/4	807-012SR	13.82
1 1/2	807-015SR	17.07
2	807-020SR	19.59
3	807-030SR	49.74
4	807-040SR	87.88



90° El
SR FPT x SR FPT

Size (in.)	Mfg Part #	Price \$
3/8	808-003SR	5.00
1/2	808-005SR	5.00
3/4	808-007SR	6.28
1	808-010SR	7.32
1 1/4	808-012SR	7.81
1 1/2	808-015SR	12.19
2	808-020SR	13.73



45° El
SR FPT x SR FPT

Size (in.)	Mfg Part #	Price \$
1/2	819-005SR	7.10
3/4	819-007SR	8.60
1	819-010SR	12.83



Coupling
SR FPT x SR FPT

Size (in.)	Mfg Part #	Price \$
1/2	830-005SR	4.08
3/4	830-007SR	5.82
1	830-010SR	6.22
1 1/4	830-012SR	7.75
1 1/2	830-015SR	17.14
2	830-020SR	17.97



Reducing Coupling
SR FPT x SR FPT

Size (in.)	Mfg Part #	Price \$
3/4 x 1/2	830-101SR	5.29
1 x 1/2	830-130SR	7.85
1 x 3/4	830-131SR	7.85
1 1/4 x 1	830-168SR	16.86
1 1/2 x 3/4	830-210SR	25.03
1 1/2 x 1	830-211SR	25.03
1 1/2 x 1 1/4	830-212SR	25.03
2 x 1	830-249SR	33.18
2 x 1 1/2	830-251SR	33.18



Cap
SR FPT

Size (in.)	Mfg Part #	Price \$
1/4	848-002SR	4.46
3/8	848-003SR	4.46
1/2	848-005SR	4.88
3/4	848-007SR	6.26
3	848-030SR	38.60



Reducer Bushing Flush Style
Spigot x SR FPT

Size (in.)	Mfg Part #	Price \$
1 x 1/4	838-128SR	3.66
1 1/2 x 1/4	838-207SR	6.69
1 1/4 x 1/2	838-166SR	9.34
1 1/2 x 1/2	838-209SR	9.34
1 1/2 x 3/4	838-210SR	9.34
2 x 1/2	838-247SR	11.43
2 x 3/4	838-248SR	11.43
2 x 1	838-249SR	11.43
3 x 3/4	838-334SR	44.75
3 x 1	838-335SR	44.75
3 x 1 1/4	838-336SR	44.75
3 x 1 1/2	838-337SR	44.75
6 x 2	838-528SR	79.20
6 x 3	838-530SR	71.31
6 x 4	838-532SR	79.20

CPVC Available.
Contact Sales Department.



Reducer Bushing
MPT x SR FPT

Size (in.)	Mfg Part #	Price \$
1 x 1/4	839-128SR	6.62
1 1/2 x 1/2	839-209SR	9.68
1 1/2 x 3/4	839-210SR	9.68
2 x 1/2	839-247SR	14.22
2 x 3/4	839-248SR	14.22
2 x 1	839-249SR	14.22
4 x 2	839-420SR	53.84



Female Spigot Adapter
Spigot x SR FPT

Size (in.)	Mfg Part #	Price \$
1/2	878-005SR	4.52
3/4	878-007SR	5.33
1	878-010SR	8.21
1 1/4	878-012SR	13.07
1 1/2	878-015SR	15.67
2	878-020SR	26.09
3	878-030SR	47.96
4	878-040SR	81.42



Female Adapter
Socket x SR FPT

Size (in.)	Mfg Part #	Price \$
1/4	835-002SR	6.19
3/8	835-003SR	6.19
1/2	835-005SR	3.44
3/4	835-007SR	5.01
1	835-010SR	7.44
1 1/4	835-012SR	12.03
1 1/2	835-015SR	14.81
2	835-020SR	25.84
2 1/2	835-025SR	40.77
3	835-030SR	45.93
4	835-040SR	78.94
6	835-060SR	102.56



Union 2000 - Socket FPT/FKM
Socket x SR Fipt w/FKM O-ring Seal

Size (in.)	Mfg Part #	Price \$
1/2	8059-005SR	9.22
3/4	8059-007SR	12.68
1	8059-010SR	16.48
1 1/4	8059-012SR	31.52
1 1/2	8059-015SR	38.88
2	8059-020SR	59.38
2 1/2	8059-025SR	127.63
3	8059-030SR	145.09
4	8059-040SR	166.59
6	8059-060SR	370.20



Union 2000 - Socket FPT/EPDM
Socket x SR FPT w/EPDM O-ring Seal

Size (in.)	Mfg Part #	Price \$
1/2	8099-005SR	8.86
3/4	8099-007SR	12.63
1	8099-010SR	16.29
1 1/4	8099-012SR	28.35
1 1/2	8099-015SR	36.73
2	8099-020SR	59.12
2 1/2	8099-025SR	126.45
3	8099-030SR	140.77
4	8099-040SR	160.65
6	8099-060SR	357.02



Union 2000 - Socket FPT/FKM
SR FPT x SR FPT w/FKM O-ring Seal

Size (in.)	Mfg Part #	Price \$
1/2	8058-005SR	9.48
3/4	8058-007SR	12.84
1	8058-010SR	17.19
1 1/4	8058-012SR	32.73
1 1/2	8058-015SR	40.27
2	8058-020SR	62.54
2 1/2	8058-025SR	130.77
3	8058-030SR	148.76
4	8058-040SR	175.12
6	8058-060SR	389.13



Union 2000 - Socket FPT/EPDM
SR FPT x SR FPT w/EPDM O-ring Seal

Size (in.)	Mfg Part #	Price \$
1/2	8098-005SR	9.34
3/4	8098-007SR	12.72
1	8098-010SR	16.84
1 1/4	8098-012SR	31.32
1 1/2	8098-015SR	39.39
2	8098-020SR	61.89
2 1/2	8098-025SR	124.93
3	8098-030SR	147.34
4	8098-040SR	169.14
6	8098-060SR	375.92

PVC Schedule 80 Threaded Nipples



1/8" Diameter MPT X MPT			1/4" Diameter MPT X MPT			3/8" Diameter MPT X MPT		
Length (in.)	Mfg Part #	Price \$	Length (in.)	Mfg Part #	Price \$	Length (in.)	Mfg Part #	Price \$
Close	879-005	1.11	Close	880-005	1.16	Close	881-005	1.56
1 1/2	879-015	1.11	1 1/2	880-015	1.16	1 1/2	881-015	1.21
2	879-020	1.26	2	880-020	1.42	2	881-020	1.55
2 1/2	879-025	1.33	2 1/2	880-025	1.74	2 1/2	881-025	1.90
3	879-030	1.59	3	880-030	1.90	3	881-030	1.55
3 1/2	879-035	1.67	3 1/2	880-035	2.10	3 1/2	881-035	2.20
4	879-040	1.77	4	880-040	2.20	4	881-040	1.85
4 1/2	879-045	1.66	4 1/2	880-045	2.37	4 1/2	881-045	2.41
5	879-050	1.97	5	880-050	2.39	5	881-050	2.65
5 1/2	879-055	2.05	5 1/2	880-055	2.71	5 1/2	881-055	2.78
6	879-060	2.10	6	880-060	2.50	6	881-060	2.86
7	879-070	2.20	7	880-070	2.93	7	881-070	2.98
8	879-080	2.50	8	880-080	3.10	8	881-080	3.19
9	879-090	2.63	9	880-090	3.19	9	881-090	3.23
10	879-100	3.02	10	880-100	3.25	10	881-100	3.34
11	879-110	3.12	11	880-110	3.40	11	881-110	3.52
12	879-120	3.26	12	880-120	3.55	12	881-120	3.71

1/2" Diameter MPT X MPT			3/4" Diameter MPT X MPT			1" Diameter MPT X MPT			1 1/4" Diameter MPT X MPT			1 1/2" Diameter MPT X MPT		
Length (in.)	Mfg Part #	Price \$	Length (in.)	Mfg Part #	Price \$	Length (in.)	Mfg Part #	Price \$	Length (in.)	Mfg Part #	Price \$	Length (in.)	Mfg Part #	Price \$
Close	882-005	1.05	Close	883-005	1.11	Close	884-005	1.47	Close	885-005	2.14	Close	886-005	2.34
1 1/2	882-015	1.05	1 1/2	883-015	1.11	1 1/2	884-015	2.08	2	885-020	2.20	2	886-020	2.58
2	882-020	1.11	2	883-020	1.11	2	884-020	1.64	2 1/2	885-025	2.69	2 1/2	886-025	2.97
2 1/2	882-025	1.11	2 1/2	883-025	1.26	2 1/2	884-025	1.72	3	885-030	2.50	3	886-030	2.94
3	882-030	1.26	3	883-030	1.26	3	884-030	1.86	3 1/2	885-035	2.86	3 1/2	886-035	3.42
3 1/2	882-035	1.26	3 1/2	883-035	1.65	3 1/2	884-035	2.60	4	885-040	2.86	4	886-040	3.92
4	882-040	1.47	4	883-040	1.72	4	884-040	2.14	4 1/2	885-045	3.32	4 1/2	886-045	4.41
4 1/2	882-045	1.47	4 1/2	883-045										

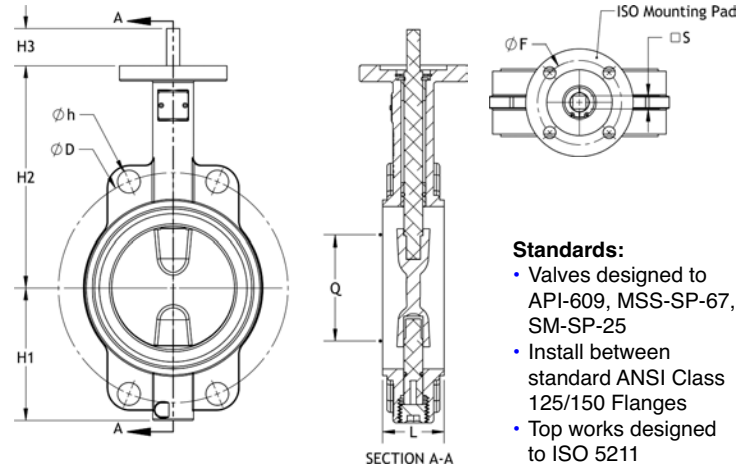
Butterfly Valves

Delta-T Series 650 Wafer Style Stainless Steel Body



Features and Benefits

- Sizes 2" - 24" wafer
- 200 PSI max pressure rating
- PTFE seats max rated pressure to 150 PSI
- Install between Standard ANSI class 125/150 flanges
- ISO 5211 square drive shaft for easy automation
- Conforms to MSS-SP-67, MSS-SP-25, API-609
- Designed for blowout-proof service
- High-Cv slim disc and 2-piece stem design 2"-12"
- Field repairable
- Vacuum service capable 2" thru 12" to 10 microns
- CRN registration



Standards:

- Valves designed to API-609, MSS-SP-67, SM-SP-25
- Install between standard ANSI Class 125/150 Flanges
- Top works designed to ISO 5211

Technical Specifications	
Nominal Size (in.)	2" thru 12"
Nominal Pressure	200 psi (PTFE only 150 psi)
Body Test Pressure	300 psi (PTFE only 225 psi)
Sealing Test Pressure	220 psi (PTFE only 165 psi)
Application Temp.	EPDM < 250°F, BUNA < 220°F
Body Material	ASTM A351 grade CF8M/AISI SS316
Disc Material	Various (SS, DI/PTFE, SS/PTFE)
Shaft Material	SS431

Size (in.)	L	Q	n-Øh	D	H1	H2	H3	S (mm)	F (mm)	ISO
2	1.66	1.03	4x 0.75	4.75	3.15	6.14	1.26	9	50	F05
2 1/2	1.76	1.71	4x 0.75	5.50	3.50	6.38	1.26	9	50	F05
3	1.78	2.46	4x 0.75	6.00	3.74	6.69	1.26	11	50	F05
4	2.05	3.56	4x 0.75	7.50	4.49	7.28	1.26	11	70	F07
5	2.14	4.35	4x 0.89	8.50	5.00	8.15	1.26	14	70	F07
6	2.19	5.81	4x 0.89	9.50	5.47	8.50	1.26	14	70	F07
8	2.39	7.66	4x 0.89	11.75	6.89	10.08	1.57	17	102	F10
10	2.58	9.54	4x 1.00	14.25	7.99	9.76	1.57	22	102	F10
12	3.03	11.69	4x 1.00	17.00	9.53	11.02	1.57	22	102	F10

Multiple Configurations Available
Contact a Sales Representative for inquiries at
1-800-849-3030



Series 650 - Wafer Style Stainless Steel Body Butterfly Valve - Polished SS316 Disc / SS431 Stem / EPDM Seat

Size (in.)	Bare Stem	Price \$	10° Position Lever Handle	Price \$	Manual Gear Operator	Price \$	Pneumatic MT Series Spring Return	Price \$	Electric AE Series 120 VAC	Price \$
2	506-020	228.00	507-020	282.00	508-020	303.00	509-020	507.00	510-020	659.00
2 1/2	506-025	278.00	507-025	332.00	508-025	353.00	509-025	587.00	510-025	709.00
3	506-030	324.00	507-030	378.00	508-030	399.00	509-030	655.00	510-030	879.00
4	506-040	456.00	507-040	510.00	508-040	531.00	509-040	941.00	510-040	1302.00
5	506-050	551.00	507-050	605.00	508-050	633.00	509-050	1173.00	510-050	1397.00
6	506-060	648.00	507-060	702.00	508-060	730.00	509-060	1570.00	510-060	1514.00
8	506-080	1080.00	507-080	1159.00	508-080	1208.00	509-080	2980.00	510-080	2528.00
10	506-100	1391.00	507-100	1470.00	508-100	1519.00	509-100	3291.00	510-100	2872.00
12	506-120	1886.00	507-120	1965.00	508-120	2095.00	509-120	3862.00	510-120	3527.00

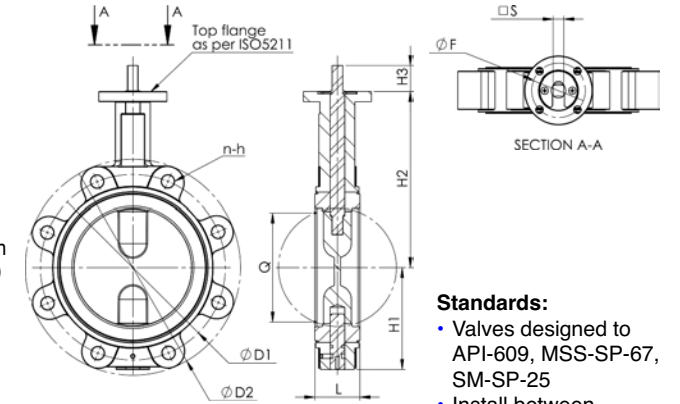
Butterfly Valves

Delta-T Series 051 Lug Style Ductile Iron Body



Features and Benefits

- Sizes 2" - 48" LUG
- Lug-style dead end service capabilities through 12":
 - 200 PSI uni-directional
 - 100 PSI bi-directional
- PTFE seats max rated pressure to 150 PSI
- Install between Standard ANSI class 125/150 flanges
- ISO 5211 square drive shaft for easy automation
- Conforms to MSS-SP-67, MSS-SP-25, API-609
- Designed for blowout-proof service
- High-Cv slim disc and 2-piece stem design 2"-12"
- Field repairable
- Vacuum service capable 2" thru 12" to 10 microns
- CRN registration



Standards:

- Valves designed to API-609, MSS-SP-67, SM-SP-25
- Install between standard ANSI Class 125/150 Flanges

Technical Specifications	
Nominal Size (in.)	2" thru 12"
Nominal Pressure	200 psi (PTFE only 150 psi)
Body Test Pressure	300 psi (PTFE only 225 psi)
Sealing Test Pressure	220 psi (PTFE only 165 psi)
Application Temp.	EPDM < 250°F, BUNA < 220°F
Body Material	Cast or Ductile Iron
Disc Material	Various (NP-DI, AB, SS, NY11)
Shaft Material	SS416 to ASTM A276

Size (in.)	L	Q	D1	D2	n-h (mm)	H1	H2	H3	S (mm)	F (mm)	ISO
2	1.69	1.13	4.75	5.95	4-5/8-11 UNC	2.60	5.12	1.18	9	50	F05
2 1/2	1.81	1.79	5.50	6.97	4-5/8-11 UNC	3.23	5.55	1.18	9	50	F05
3	1.81	2.45	6.00	7.23	8-5/8-11 UNC	3.54	5.83	1.18	9	50	F05
4	2.05	3.50	7.50	8.77	8-5/8-11 UNC	4.25	6.69	1.18	11	70	F07
5	2.20	4.55	8.50	9.93	8-3/4-10 UNC	4.84	7.36	1.18	14	70	F07
6	2.20	5.71	9.50	11.02	8-3/4-10 UNC	5.43	7.95	1.18	14	70	F07
8	2.36	7.77	11.75	13.50	8-3/4-10 UNC	6.69	9.37	1.42	17	102	F10
10	2.68	9.76	14.25	16.25	12-7/8-9 UNC	7.87	10.71	1.42	22	102	F10
12	3.07	11.73	17.00	19.09	12-7/8-9 UNC	9.29	12.01	1.42	22	102	F10

Multiple Configurations Available
Contact a Sales Representative for inquiries at
1-800-849-3030



Series 051 - Lug Style Ductile Iron Body Butterfly Valve - Polished SS316 Disc / SS416 Stem / EPDM Seat

Size (in.)	Bare Stem	Price \$	10° Position Lever Handle	Price \$	Manual Gear Operator	Price \$	Pneumatic MT Series Spring Return	Price \$	Electric AE Series 120 VAC	Price \$
2	511-020	57.00	512-020	65.00	513-020	132.00	514-020	337.00	515-020	488.00
2 1/2	511-025	68.00	512-025	76.00	513-025	143.00	514-025	376.00	515-025	499.00
3	511-030	85.00	512-030	93.00	513-030	160.00	514-030	427.00	515-030	640.00
4	511-040	134.00	512-040	142.00	513-040	209.00	514-040	619.00	515-040	980.00
5	511-050	182.00	512-050	190.00	513-050	264.00	514-050	812.00	515-050	1028.00
6	511-060	229.00	512-060	237.00	513-060	311.00	514-060	1171.00	515-060	1095.00
8	511-080	389.00	512-080	405.00	513-080	517.00	514-080	1427.00	515-080	1837.00
10	511-100	687.00	512-100	707.00	513-100	815.00	514-100	2587.00	515-100	2168.00
12	511-120	987.00	512-120	1007.00	513-120	1196.00	514-120	2968.00	515-120	2628.00

GF Signet 8150 Battery Powered Flow Totalizer



Panel Mount

Pipe, Wall, and Tank Mount



Integral Mount

Member of the ProcessPro® Family of Instruments

The Signet 8150 Battery Powered Flow Totalizer is compatible with the Signet 515 and 525 flow sensors, and will provide years of dependable operation. The large digital display indicates flow rate and totalized flow volume simultaneously. One of the three totalizers is resettable from the front panel or a remote location, while the second resettable totalizer can only be reset by entering a user-selectable security code. The third is a permanent non-resettable totalizer.

Our intuitive software design and four-button keypad provide for simple operation while setting screen displays and programming the system. Calibration can be easily performed by entering the AutoCal feature and entering a value to match an external reference. Screen displays can be modified to suit the user's needs; along with the flow rate, any of the three totalizers can be selected as the displayed totalizer. Users can quickly scroll through the totalizers simply by pressing any key on the keypad. A display averaging feature is included for applications where the flow in the pipe fluctuates. For applications where flow stops and starts due to production needs, a no-flow indicator will display the hours of non-flow.

Features:

- Three totalizers: 2 resettable and 1 permanent, user-selectable
- Long-lasting lithium batteries
- Mounting versatility
- No-flow indicator
- Large digital display with averaging
- Simple push-button operation
- User-selectable access code prevents unwanted changes
- Auto-calibration

Applications:

- Wastewater Flow Accumulation
- Water Treatment Systems
- Remote or Mobile Treatment/Distribution Systems
- Irrigation Systems
- Filtration Systems
- Commercial Pools & Spas
- Groundwater Remediation
- R.O. Concentrate
- Process Flow Monitoring
- UPW Distribution
- Demineralizer Regeneration
- Process Cooling Water

8150 Battery Powered Flow Totalizer

Description	Mfg Part #	Price \$
Field mount for pipe, tank, and wall mounting	3-8150-1	714.00
Panel mount; includes mounting bracket and panel gasket	3-8150-1P	714.00
For 1/2 to 4 in. pipes, mounted on Model 515 Paddlewheel (Part No. 3-8510-P0), w/polypropylene body, black Polypropylene retaining nut, Black PVDF rotor, and Titanium pin	3-8150-P0	1113.00
For 1/2 to 4 in. pipes, mounted on Model 515 Paddlewheel (Part No. 3-8510-T0), with a natural PVDF body, natural PVDF retaining nut, rotor, and pin	3-8150-T0	1500.00
For 5 to 8 in. pipes, mounted on Model 515 Paddlewheel (Part No. 3-8510-P1), w/polypropylene body, Black PVDF rotor, and Titanium pin	3-8150-P1	1141.00

GF Signet 0486 Profibus Concentrator



The Signet 0486 Profibus Concentrator allows for simplified connection of Signet sensors to a PROFIBUS network. The 0486 supports six sensor interfaces and a 4 to 20 mA current loop proportional valve interface. The 0486 supports PROFIBUS DPV1 and is available with either DB9 or M12 network connectors.

The 0486 sensor interfaces are multifunctional. All six inputs are compatible with Signet digital (S3L) sensors, four inputs are compatible with frequency output flow sensors, and two inputs are compatible with 4 to 20 mA current loops. The 0486 PLC interface allows for complete control of the Signet sensors. The programmer is able to configure the sensor for the specific needs of their application, read measurements in engineering units, and gather diagnostic data to ensure accuracy and correctness of readings.

Applications:

- Automation Upgrades
- Filter and RO Skids
- Neutralization Systems
- Water and Wastewater Treatment
- Pool and Spa Control
- Aquatic Animal Life Support Systems and Aquaculture

Features:

- Interface six Signet sensor or relay modules and a proportional valve to a PROFIBUS network with a single service
- Four channels support (S³L) or flow frequency devices
- Two channels support (S³L) or 4 to 20 mA current loops
- One channel for dedicated 4 to 20 mA current loop input and output. Ideal for proportional valve control or other current loop uses
- Support for PROFIBUS DP V1 and DP V0
 - Supports 9.6K to 12M bits/second network speeds
 - System and sensor diagnostic support (DP V1)
 - Fail-safe for 8059 Relay Modules and proportional valve outputs on communication failure
- Simplified the programming of sensors, saving programming time and reducing errors
- Convenient DIN Rail or surface mountable enclosure

0486 Profibus Concentrator

Description	Mfg Part #	Price \$
DB9 Profibus Concentrator	3-0486-D	2633.00

GF Signet Flow Sensor Specifications

Simple to install with time-honored reliable performance, Signet Sensors are highly repeatable, rugged sensors that offer exceptional value with little or no maintenance.



	515	2536	2537	2551	525	2540	2000	2507	2100	2552
Sensor Style	Insertion Paddlewheel	Insertion Paddlewheel	Insertion Paddlewheel	Insertion Magmeter	Insertion Paddlewheel	Insertion Paddlewheel	In-line Rotor	In-line Rotor	In-line Turbine	Insertion Metal Magmeter
Operating Range m/s (ft/s)	0.3 to 6 (1 to 20)	0.1 to 6 (0.3 to 20)	0.1 to 6 (0.3 to 20)	0.05 to 10 (0.15 to 33)	0.5 to 6 (1.6 to 20)	0.1 to 6 (0.3 to 20)	0.11 to 12.11 (0.03 to 3.2)	0.4 to 12 (0.105 to 3.170)	0.38 to 38 (0.10 to 10)	0.05 to 10 m/s (0.15 to 33 ft/s)
Installation Mounting Styles	Signet fittings in plastic and metal, sizes 1/2 - 12 in.	Signet fittings in plastic and metal, sizes 1/2 - 12 in.	Signet fittings in plastic and metal, sizes 1/2 - 12 in.	Signet fittings in plastic and metal, sizes 1/2 - 12 in.	Metalex installation fittings for metal pipe	Customer supplied threaded saddle/weld-on fittings	1/4 in. threads	1/4 in. threads	Socket, flare end, or hose barb fittings	Customer supplied threaded fittings
Pipe Size Range	DN15 to DN900 (1/2 to 36 in.)	DN15 to DN900 (1/2 to 36 in.)	DN50 to DN200 (1/2 to 8 in.)	DN15 to DN900 (1/2 to 36 in.)	DN15 to DN300 (1/2 to 12 in.)	DN40 to DN900 (1 1/2 to 36 in.)	1/4 in. tubing	1/4 in. tubing	DN8, DN10, DN15 (1/4, 3/8, 1/2 in.)	DN50 to DN2550 (2 to 102 in.)
Wetted Materials										
Sensor Body	PP or PVDF	PP or PVDF	PP or PVDF	PP or PVDF	316 SS	316 SS	PPS	PVDF	PVDF	316L SS
Rotor	PVDF or ETFE	PVDF or ETFE	PVDF or ETFE	N/A	17-4 SS Alloy	17-4 SS Alloy	PEEK®	PVDF	PVDF	N/A
Rotor Pin (choice of)	Titanium, Tantalum, SS, Ceramic, Hastelloy-C, PVDF	Titanium, Tantalum, SS, Ceramic, Hastelloy-C, PVDF	Titanium, Tantalum, SS, Ceramic, Hastelloy-C, PVDF	N/A	Tungsten Carbide GRP 1, 316 SS	Tungsten Carbide GRP 1, 316 SS	N/A	N/A	N/A	N/A
O-ring	FPM, EPDM, FFFPM	FPM, EPDM, FFFPM	FPM, EPDM, FFFPM	FPM, EPDM, FFFPM	N/A	FPM or EPDM	FPM	FPM	FPM or EPDM	FPM
Other	None	None	None	316L SS Hastelloy-C, or Titanium	Carbon Fiber reinforced PTFE (bearings), Klingersil C-4401 (gasket)	Carbon Fiber reinforced PTFE (bearings)	N/A	PTFE	Ceramic	PVDF insulator
Fluid Temperature (°C)	-18 °C to 100 °C	-18 °C to 85 °C	-18 °C to 85 °C	0 °C to 85 °C	-18 °C to 149 °C	100 °C	0 °C to 80 °C	-30 °C to 120 °C	-20 °C to 70 °C	-15 °C to 85 °C
Fluid Temperature (°F)	0 °F to 212 °F	0 °F to 185 °F	0 °F to 185 °F	32 °F to 185 °F	0 °F to 300 °F	212 °F	32 °F to 176 °F	-22 °F to 248 °F	-4 °F to 158 °F	5 °F to 185 °F
Max. Operating Pressure**	14 bar (200 psi)	14 bar (200 psi)	12.5 bar (180 psi)	10.3 bar (150 psi)	103 bar (1500 psi @ safety factor 1.5)	17 bar (250 psi)	5.5 bar (80 psi)	5.5 bar (80 psi)	9.3 bar (130 psi)	20.7 bar (300 psi) @ 25 °C (77 °F)
Standards and Approvals	RoHS compliant, China RoHS	CE, FCC, RoHS compliant, China RoHS	CE, FCC, UL, RoHS compliant, China RoHS	CE, FCC, UL (display version only), CUL, RoHS compliant, China RoHS	RoHS compliant, China RoHS	CE, FCC, RoHS compliant, China RoHS	N/A	CE, FCC, RoHS compliant, China RoHS	CE, FCC, RoHS compliant, China RoHS	CE, FCC, RoHS compliant, China RoHS
Power Requirements	None	5 to 24 VDC, ±10%, regulated	5 to 24 VDC, ±10%, regulated	5 to 24, 24 VDC, ±10%, regulated	None	5 to 24 VDC, ±10%, regulated	5 to 24 VDC, ±10%, regulated	5 to 24 VDC, ±10%, regulated	5 to 24 VDC, ±10%, regulated	5 to 24, 24 VDC, ±10%, regulated
Output	AC frequency	Open collector	Open collector, 4 to 20 mA, Digital (S ³ L) AC Relay, Solid State Relay	Frequency, digital (S ³ L), 4-20 mA output or relay	AC frequency	Open Collector	Open Collector	Open Collector	Open Collector	Frequency, digital, or 4 to 20 mA output
Compatible Signet Flow Instruments	All	All except 5090 & 8150	All except 5090 & 8150	All except 5090 & 8150	All except 5090	All except 5090 & 8150	All except 5090, 8150	All except 5090, 8150	All except 5090, 8150	All except 5090, 8150
Comments	General Purpose Sensor with installation fittings for many materials	General Purpose Sensor with installation fittings for many materials	Various output versions available to suit application needs	Features empty pipe detection, bi-directional flow, optional multi-language display	For high pressure, high temperature applications	Steel sensor, low flow capability requires no custom fittings	Lowest flow range: 110 mL/min. PPS body for tough service, good chemical resistance	Excellent chemical resistance, note significant pressure drop	Excellent chemical resistance, replaceable electronics, affordable package	Features empty pipe detection, hot-tap version available, bi-directional flow
Moving Parts	Yes	Yes	Yes	No	Yes	Yes	Yes	Yes	Yes	No
Suitable for High Purity Applications	Yes	Yes	Yes	for >20 µS	No	No	No	Yes	Yes	No

* Derated by Pressure (type of fitting may also effect rating)

** Derated by Temperature (type of fitting may also effect rating)

TKB Series - Battery Operated Paddle Wheel Flow Meter



TKB Series - PVC Body

Size (in.)	End Connections	Part #	Price \$
1/2	Threaded / Socket	TKB-15-P	449.00
3/4	Threaded / Socket	TKB-20-P	499.00
1	Threaded / Socket	TKB-25-P	549.00
1 1/2	Threaded / Socket	TKB-40-P	629.00
2	Threaded / Socket	TKB-50-P	729.00
3	Flanged	TKB-80-P	1399.00
4	Flanged	TKB-100-P	1999.00

- Features:**
- High Accuracy $\pm .50\%$ of Full Scale
 - Unit of Flow Measurement is Selectable (Liter / Gallon / Kilo-liter)
 - Corrosion Resistant Materials PVC / PP / PVDF / 316SS
 - Low Cost Visual Indication
 - Easy Installation - No Mounting Kits
 - High Flow Range (.3 m/s - 10 m/s) (.98 ft/s - 32.8 ft/s)
 - Easy to Program
 - Battery 3V DC / 2 Year Battery Life (Eco Mode)
 - Large LCD Digital Display
 - Non-Resettable Totalizer Option
 - Size Range 1/2" - 4" Low Pressure Drop
 - NEMA 4X Enclosure
 - Suitable for Corrosive Environments
 - Password Protected Security 2 Levels
 - True-Union Design - 1/2" - 2" Flanged - 3" - 4"
 - PVDF and PP Available

LSS Flow Meter - Plastic Paddle Wheel Flow Meter



- Features:**
- Heavy Duty Industrial Design
 - Large Display Changes from Green to Red when in Alarm State
 - Accuracy $\pm 0.75\%$ Of Full Scale
 - Pipe Size (1/2" - 24")
 - Flow Rate + Totalizer (Resettable)
 - Flow Velocity Range (0.33 to 26 Ft/S) (0.1 To 8 M/S)
 - Eprom Memory-Totalizer Value Will Not Be Lost
 - NEMA 4X (IP66) Protection
 - Bright LED Display Flow Units - Liter / GPM / M3 / Ton
 - Supply Voltage 14-28 VDC
 - Output 4-20 mA + Two (7) Amp Relays Output (Standard)
 - Corrosion Resistant All Plastic Wetted Parts - PVDF / PP Body Zirconium Ceramic Shaft - PFA Paddle
 - Retrofits into Signet® Tee or Saddle Fitting

LSS Flow Meter

Size (in.)	Meter	Part #	Price \$
1/2 - 4	PP	LSS3023NNF8	749.00
6 - 24	PP	LSS3123NNF8	789.00
1/2 - 4	PVDF	LSS5023NNF8	899.00
6 - 24	PVDF	LSS5123NNF8	949.00

ProPulse Turbine Flow Meter



- Features:**
- Designed for Dosing / Pulsating Flows
 - Universal Body 5 Different Flow Ranges (Flow Jets Are Field Replaceable)
 - Excellent Chemical Resistance
 - All Plastic PVDF Body / Rotor / Sapphire Bearings
 - Ultra Low Flow Ranges from 50 ml/min (.013 GPM)
 - Pressure Rating 10 bar (150 psi)
 - Compact / Lightweight
 - Barbed Hose Inlet / Outlet Connection
 - 5/16" and 1/2" Tube or 3/8" Pipe Connector
 - Temperature Rating -40 - 120°C (-40 - 248°F)
 - High Accuracy and Repeatability
 - NPN Frequency Pulse Output

ProPulse Turbine Flow Meter

Size (in.)	Description	Part #	Price \$
3/8	Flying Lead	300-J-0	495.00
3/8	M12 Connection	300-J-1	595.00
5/16 - 1/2	Flying Lead	420-O-0	495.00
5/16 - 1/2	M12 Connection	420-O-1	595.00

PM Series Magnetic Flow Meter



- Features:**
- Heavy Duty Design - No Moving Parts
 - Sizes 1/2", 3/4", 1"
 - Flow Rates 0.25 to 250 L/min (.6 - 66 GPM)
 - Pulse Output / Calibrated Range
 - Stainless Steel 316 L Electrodes
 - No Programming
 - Lightweight / Corrosion Resistant
 - High Flow Capacity
 - Corrosion Resistant PVDF Body

PM Series Magnetic Flow Meter

Size (in.)	Part #	Price \$
1/2	PM0500	1299.00
3/4	PM0750	1399.00
1	PM1000	1499.00

UltraFlo 1000 Series - PFA Ultrasonic Flow Meter



- Features:**
- Designed for Dosing / Pulsating Flows
 - Flared Tubing Ends
 - Completely Corrosion Resistant
 - Lightweight
 - Power Supply 24 VDC
 - Output 4-20 mA + Pulse Relay
 - Low Flow Rates - 0.02 LPM - 0.005 GPM
 - IP67 Enclosure
 - Negligible Pressure Drop
 - Empty Pipe Alarm
 - Ultra-pure Flow Design
 - Air Bubble Alarm Output

UltraFlo 1000 Series

Size (in.)	Part #	Price \$
3/8	UFM-1000-37	2799.00
1/2	UFM-1000-50	2999.00
3/4	UFM-1000-75	3199.00
1	UFM-1000-100	3299.00

UltraFlo 4000 Series - Polysulphone Ultrasonic Flow Meter



- Features:**
- Designed for Dosing / Pulsating Flows
 - No Moving Parts
 - Heavy Duty Design; Simple to Install
 - Completely Corrosion Resistant
 - RS-485 Output
 - Display Flow Rate + Totalizer
 - Power Supply 24 VDC
 - Output 4-20 mA + Pulse Relay
 - Low Flow Rates - 0.3 LPM / 0.079 GPM
 - IP67 Enclosure
 - Negligible Pressure Drop
 - Empty Pipe Alarm
 - PVC / CPVC True Union Ends (Option)

UltraFlo 4000 Series

Size (in.)	Part #	Price \$
1/2	UFM-4000-50	2199.00
3/4	UFM-4000-75	2399.00
1	UFM-4000-100	2599.00
1 1/4	UFM-4000-125	2799.00

UltraFlo 5000 Series - PVDF-PE Ultrasonic Flow Meter



- Features:**
- Designed for Dosing / Pulsating Flows
 - 1/2", 3/4", 1" NPT / G Connections
 - Completely Corrosion Resistant
 - RS-485 Output
 - Lightweight
 - Power Supply 24 VDC
 - Output 4-20 mA + Pulse Relay
 - Low Flow Rates - .024 LPM / .006 GPM
 - IP67 Enclosure
 - Negligible Pressure Drop
 - Empty Pipe Alarm

UltraFlo 5000 Series

Size (in.)	Material	Part #	Price \$
1/2	PE	UFM-5000-50	2199.00
3/4	PE	UFM-5000-75	2399.00
1	PE	UFM-5000-100	2599.00
3/4	PVDF	UFM-5000-75-P	2899.00
1	PVDF	UFM-5000-100-P	2999.00

FES Series - Heavy Duty PP Plastic Flow Switch



- Features:**
- All Plastic Construction
 - In-Line Design / Insertion Style
 - Nema 4X Enclosure
 - Corrosion Resistant PP Body / Paddle
 - 1/2" - 8" Pipe / Tee / Saddle
 - Heavy Duty Rugged Design
 - Low Pressure Drop
 - Easy to Install
 - Can be Easily Changed from Normally Open to Normally Closed
 - Max. Power Supply 200 VDC / 250 VAC
 - Max. Power 50W
 - Max. Contact Current 1.5 Amp

FES Flow Switch

Size (in.)	Part #	Price \$
1/2 - 2	FES-005-2	299.00
3	FES-005-3	299.00
4	FES-005-4	299.00
4	FES-005-41	299.00
6	FES-005-6	299.00
8	FES-005-8	299.00

UFS Series - All Plastic Flow Switch



- Features:**
- RYTON Body
 - Excellent Chemical Resistance
 - Size Range 1/2" - 16"
 - Easy to Install
 - Excellent for Low or High Temperatures -25 To 90°C (-4 to 194°F)
 - Excellent Mechanical Properties
 - High Pressure Rating / Up To 200 PSI
 - High Wear Resistance
 - Heavy Duty Design
 - No Power Required
 - Electrical Connection 2 Wire Max. Power 1 Amp
 - Excellent Pump Protection

UFS Flow Switch

Size (in.)	Description	Part #	Price \$
1/2 - 16	Normally Open	UFS-NO	148.00
1/2 - 16	Normally Closed	UFS-NC	148.00

Diaphragm Pumps

Finish Thompson Model FT20 2" Non-Metallic Diaphragm Pumps

Specifications:

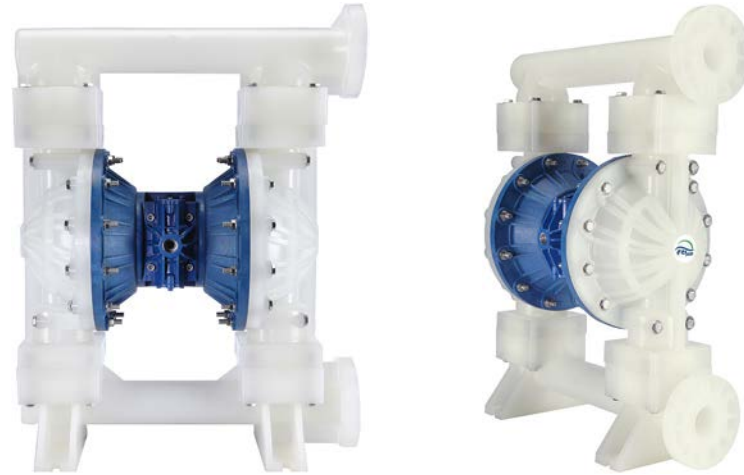
- Suction and Discharge Size: 2" x 2"
- Porting Location: End
- Connection Types: ANSI/DIN/ISO Flange
- Air Inlet and Air Exhaust Size: 3/4" FNPT x 3/4" FNPT

Capabilities:

- Maximum Flow Rate: 154 gpm (583 lpm)
- Maximum Air Supply Pressure: 100 psig (6.9 bar)
- Displacement Per Stroke: 0.31 gal (1.2 lit)
- Minimum Air Inlet Pressure: 10 psig (0.7 bar)
- Maximum Particle Size : 0.35 in (8.9 mm)
- Sound Pressure: 77 dB(A)
- Operating temperature: Determined by elastomers

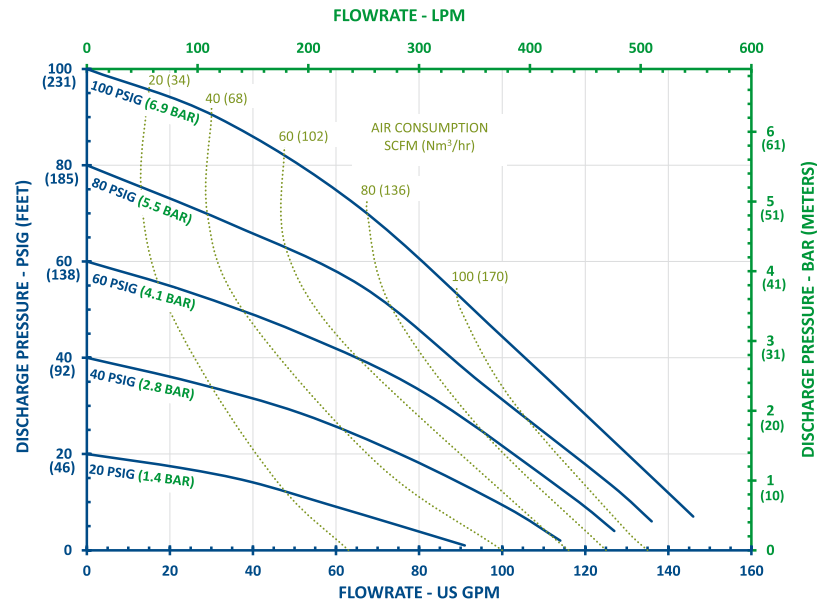
Construction:

- Wetted Materials: Polypropylene, PVDF
- Diaphragm Materials: Neoprene, Santoprene™, FKM, EPDM, PTFE, Buna-N, Hytrel®, Polyurethane
- Air Valve: GFRPP, Aluminum
- Ball Materials: Neoprene, Buna-N, EPDM, FKM, Santoprene™, PTFE, 316SS
- Seat Materials: Polypropylene, PVDF
- O-ring Materials: Buna-N, FKM, Santoprene™, Polyurethane, FEP/FKM



Polypropylene

PVDF



Note: Full stroke diaphragm allows performance to be equal for all elastomers.

Finish Thompson Model FT20 2" Non-Metallic Diaphragm Pumps

Wetted	Non-Wetted	Diaphragm	Valve / Ball	Valve Seat	O-Ring	Connection	Part #	Price \$
Polypropylene	Polypropylene	Santoprene™	Santoprene™	Polypropylene	Santoprene™	ANSI/DIN/ISO Flange	FT20P-PP-RRPR-F1	2746.00
Polypropylene	Polypropylene	PTFE/Santoprene™	PTFE	Polypropylene	FEP/FKM	ANSI/DIN/ISO Flange	FT20P-PP-2TPC-F1	3109.00
Polypropylene	Polypropylene	EPDM	EPDM	Polypropylene	Buna-N	ANSI/DIN/ISO Flange	FT20P-PP-EEPBF-F1	2744.00
PVDF	Polypropylene	Santoprene™	Santoprene™	PVDF	Santoprene™	ANSI/DIN/ISO Flange	FT20V-PP-RRVR-F1	6662.00
PVDF	Polypropylene	PTFE/Santoprene™	PTFE	PVDF	FEP/FKM	ANSI/DIN/ISO Flange	FT20V-PP-2TVC-F1	7024.00
PVDF	Polypropylene	EPDM	EPDM	PVDF	Buna-N	ANSI/DIN/ISO Flange	FT20V-PP-EEVB-F1	6660.00

Note: Other materials and configurations available. Contact sales department for information at 800-849-3030.

Diaphragm Pumps

Finish Thompson Model FT05 1/2" Metallic Diaphragm Pumps

Specifications:

- Suction and Discharge Size: 1/2" x 1/2"
- Porting Location: End, Optional FNPT or FBSPT threaded center port location in either horizontal or vertical position
- Connection Types: FNPT, FBSPT
- Air Inlet and Air Exhaust Size: 1/4" FNPT x 1/2" FNPT

Capabilities:

- Maximum Flow Rate: 20 gpm (76 lpm)
- Maximum Air Supply Pressure: 120 psi (8.3 bar)
- Displacement Per Stroke: 0.026 gal (0.10 lit)
- Minimum Air Inlet Pressure: 10 psig (0.7 bar)
- Maximum Particle Size : 0.19 in (4.7 mm)
- Sound Pressure: 72.1 dB(A)
- Operating Temperature: Determined by elastomers

Construction:

- Wetted Materials: Aluminum, 316SS
- Diaphragm Materials: Neoprene, Santoprene™, FKM, EPDM, PTFE, Buna-N, Hytrel®, Polyurethane
- Air Valve: GFRPP, Aluminum
- Ball Materials: Neoprene, Buna-N, EPDM, FKM, Santoprene™, PTFE, 316SS
- Seat Materials: Aluminum, 316SS, PTFE
- O-ring Materials: Neoprene, Buna-N, EPDM, FKM, PTFE, FEP/FKM

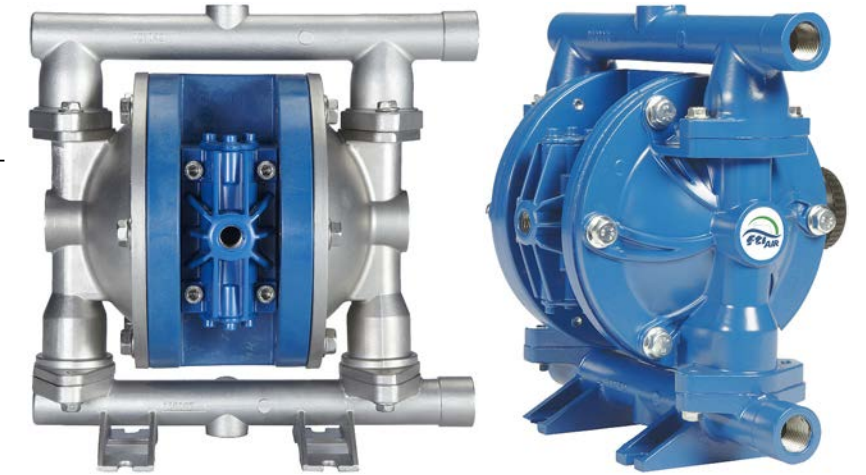
Dimensions:

- Maximum Height: 9-27/32 in (250 mm)
- Maximum Width: 9-5/8 in (246 mm)
- Maximum Depth: 8-1/16 in (204 mm)

Weight:

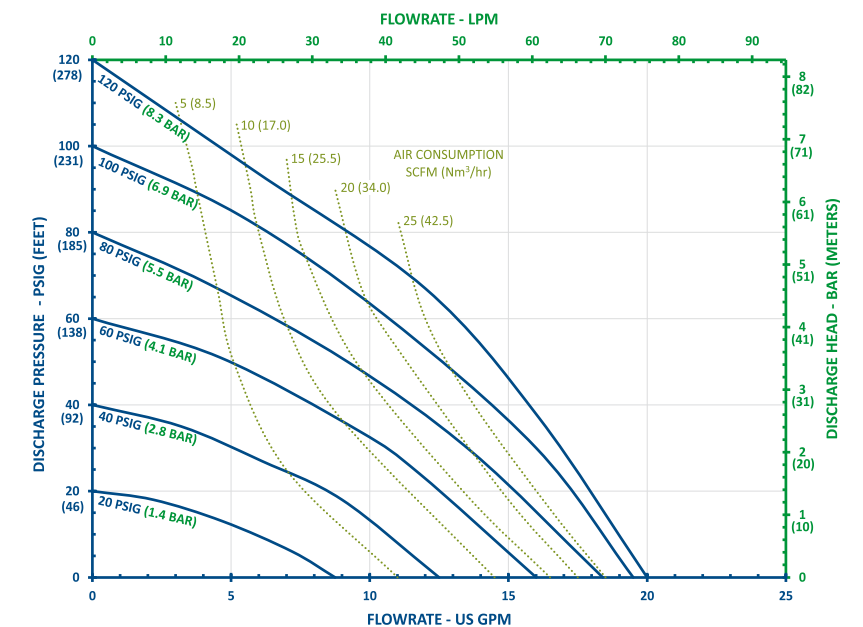
- Aluminum: 11.7 lb (5.3 kg)
- Stainless Steel: 15.5 lb (7.0 kg)

Santoprene™ is a registered tradename of Exxon Mobil Corporation
Hytrel® is a registered tradename of Dupont™



Stainless Steel

Aluminum



Note: Full stroke diaphragm allows performance to be equal for all elastomers.

Finish Thompson Model FT05 1/2" Metallic Diaphragm Pumps

Wetted	Non-Wetted	Diaphragm	Valve / Ball	Valve Seat	O-Ring	Connection	Part #	Price \$
Aluminum	Aluminum	Santoprene™	Santoprene™	Aluminum	PTFE	FNPT	FT05A-AA-RRAT-N1	466.00
Aluminum	Aluminum	PTFE/Santoprene™	PTFE	PTFE	FEP/FKM	FNPT	FT05A-AA-2TTC-N1	596.00
Aluminum	Aluminum	EPDM	EPDM	Aluminum	EPDM	FNPT	FT05A-AA-EEAE-N1	483.00
Stainless Steel	Aluminum	Santoprene™	Santoprene™	Stainless Steel	PTFE	FNPT	FT05S-AA-RRST-N1	1019.00
Stainless Steel	Aluminum	PTFE/Santoprene™	PTFE	PTFE	FEP/FKM	FNPT	FT05S-AA-2TTC-N1	1148.00
Stainless Steel	Aluminum	EPDM	EPDM	Stainless Steel	EPDM	FNPT	FT05S-AA-EESE-N1	1035.00

Note: Other materials and configurations available. Contact sales department for information at 800-849-3030.



Spill Containment Systems

Eagle IBC Containment Units, Sumps and Spill Kit Boxes

Eagle IBC Containment Units are constructed of with 100% high density polyethylene (HDPE) with a choice of metal or poly platform. Eagle's Spill Containment Sumps are an economical containment solution for 275 and 550 gallon horizontal tanks. Sumps are constructed of a one-piece molded high density polyethylene (HDPE) for excellent chemical resistance that will not rust or corrode. Eagle Spill Kit Boxes come in two sizes (110 and 220 gallon) in yellow or black HDPE. These Spill Kit Boxes work well for both routine maintenance and emergency spill response.



Eagle IBC Containment Units, Sumps and Spill Kit Boxes

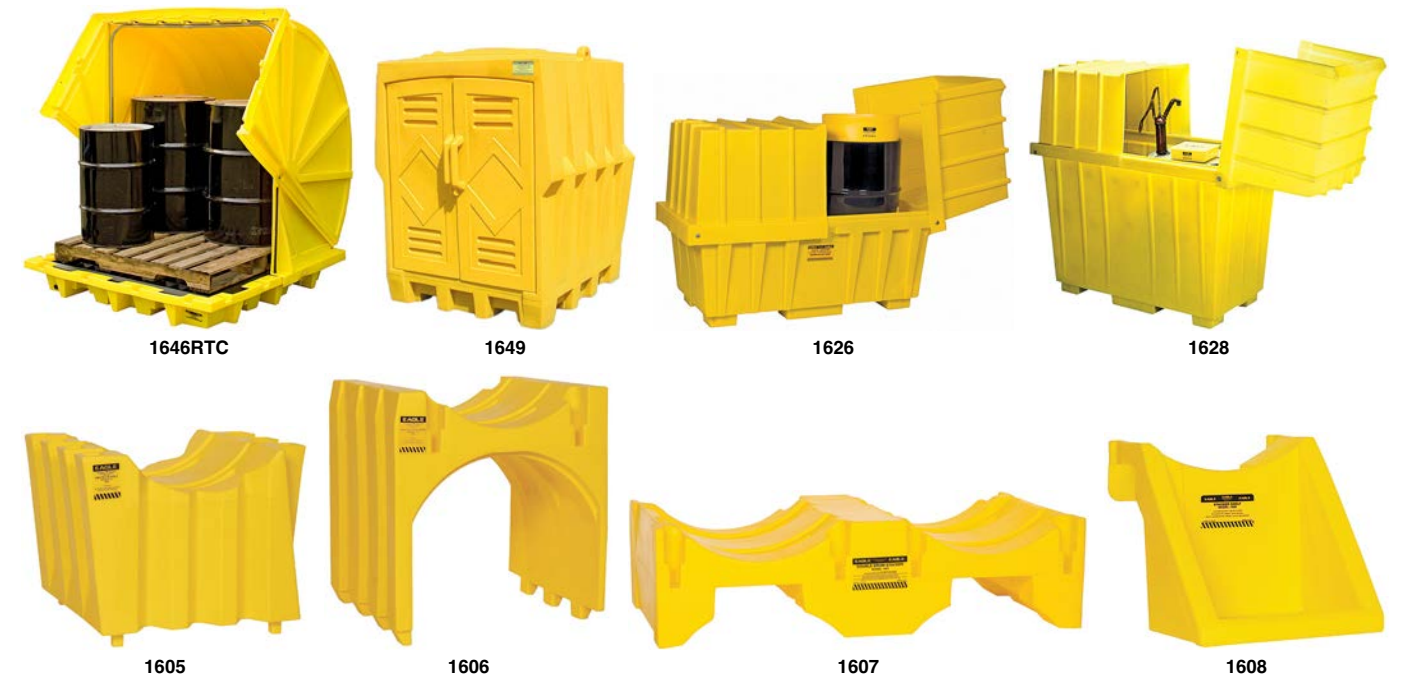
Description	Dimensions WDH (in)	Sump Cp (gal)	Wt. (lbs)	Load Cp (lbs)	Fork Pockets	Compliance	Mfg Part #	Price \$
IBC Containment Unit with Steel Platform - Yellow No Drain	67 x 67 x 26	400	270	10,000	No	EPA / SPCC	1680	2121.50
IBC Containment Unit with Poly Platform - Yellow No Drain	67 x 67 x 26	400	245	10,000	No	EPA / SPCC	1683	1767.21
IBC Containment Unit with Poly Platform - Yellow Drain	67 x 67 x 26	400	245	10,000	No	EPA / SPCC	1683D	2040.00
IBC Containment Unit with Poly Platform - Black No Drain	67 x 67 x 26	400	245	10,000	No	EPA / SPCC	1683B	2000.00
IBC Containment Unit with Poly Platform - Black Drain	67 x 67 x 26	400	245	10,000	No	EPA / SPCC	1683BD	2000.00
Double All Poly IBC Containment Unit - Yellow No Drain	118 x 77 1/2 x 20	400	450	10,000 (per platform)	No	EPA / SPCC	1684	3495.17
Double All Poly IBC Containment Unit - Yellow Drain	118 x 77 1/2 x 20	400	450	10,000 (per platform)	No	EPA / SPCC	1684D	3786.30
Double All Poly IBC Containment Unit - Black No Drain	118 x 77 1/2 x 20	400	450	10,000 (per platform)	No	EPA / SPCC	1684B	3700.00
Double All Poly IBC Containment Unit - Black Drain	118 x 77 1/2 x 20	400	450	10,000 (per platform)	No	EPA / SPCC	1684BD	3700.00
Horizontal Tank Spill Containment Sump - Black No Drain	44 x 84 x 30	373	86	10,000	No	EPA / SPCC	16-275	900.00
Horizontal Tank Spill Containment Sump - Black Drain	44 x 84 x 30	373	86	10,000	No	EPA / SPCC	16-275D	920.00
Horizontal Tank Spill Containment Sump - Black No Drain	62 x 88 x 33	635	118	10,000	No	EPA / SPCC	16-550	1280.00
Horizontal Tank Spill Containment Sump - Black Drain	62 x 88 x 33	635	118	10,000	No	EPA / SPCC	16-550D	1300.00
Spill Kit Box with Lid - Yellow No Drain	60 x 34 x 24	110	75	N/A	Yes	N/A	1624K	800.00
Spill Kit Box with Lid - Black No Drain	60 x 34 x 24	110	75	N/A	Yes	N/A	1624KB	760.00
Spill Kit Box with Lid - Yellow No Drain	60 x 34 x 42	220	110	N/A	Yes	N/A	1625K	960.00
Spill Kit Box with Lid - Black No Drain	60 x 34 x 42	220	110	N/A	Yes	N/A	1625KB	920.00



Spill Containment Systems

Eagle Outdoor Drum Storage, Workstations & Horizontal Drum Stacking Systems

Constructed of high density polyethylene (HDPE) with UV inhibitors, Eagle's Outdoor Drum Storage protects up to four 55 gallon drums from the elements. Eagle's Two Drum Workstations are a secure way to store drums inside or outside. Available in low profile or high profile for the storage of two drums. Forkliftable and optional dolly allows easier movement on worksite. The Eagle Horizontal Drum Stacking System is used in combination with Eagle's spill containment platforms. All components are designed to lock into spill grating for stable drum storage and are ideal for chemical storage and dispensing.



Displaying 1649 with 1689 Ramp



Displaying 1605, 1606 and 1608 on 1632 Two Drum Modular Platform



Displaying 1605, 1607 and 1608 on 1645 Four Drum Pallet

Eagle Outdoor Drum Storage, Workstations & Horizontal Drum Stacking Systems

Description	Dimensions WDH (in)	Sump Cp (gal)	Wt. (lbs)	Load Cp (lbs)	Fork Pockets	Compliance	Mfg Part #	Price \$
Rotary Top Containment Unit - Yellow Drain	59 1/2 x 73 1/2 x 68	66	295	6,000	Yes	EPA / SPCC	1646RTC	2163.00
4 Drum Poly Storage Building - Yellow No Drain	57 1/2 x 57 1/2 x 72	66	250	8,000	Yes	EPA / SPCC	1649	2338.97
2 Drum Low-Profile Workstation - Yellow No Drain	60 x 34 x 46	110	89	4,000	Yes	EPA / SPCC	1626	1037.94
2 Drum High-Profile Workstation - Yellow No Drain	60 x 34 x 64	220	120	4,000	Yes	EPA / SPCC	1628	1206.80
Cradle - Yellow No Drain	29 x 26 1/2 x 22 1/2	N/A	30	2,000	N/A	EPA / SPCC	1605	260.24
Single Stacker - Yellow No Drain	27 x 26 1/2 x 29	N/A	30	1,000	N/A	EPA / SPCC	1606	286.27
Double Stacker - Yellow No Drain	48 x 26 1/2 x 13	N/A	30	2,000	Yes	EPA / SPCC	1607	343.07
Shelf - Yellow No Drain	19 x 23 x 19	N/A	15	100	N/A	EPA / SPCC	1608	120.93

Bolts, PVC/PP : 75
Bonomi Actuated Control Ball Valves : 237
Bonomi Control Ball Valves : 236
Bonomi Mini Stainless Steel Ball Valve : 238
Braid Reinforced Clear PVC Tubing : 16
Bulkhead Fittings : 52, 53, 54, 55, 56, 57, 58, 59
Bulkhead Gaskets : 54
Butterfly Valve Bolt Kits : 60
Butterfly Valves : 129, 294, 295, 296, 297, 298, 302, 303, 304, 305, 306, 307, 308, 309, 310, 311, 312
Butterfly Valves, Asahi : 307, 308, 309, 310, 311
Butterfly Valves, BVC : 312
Butterfly Valves, Cepex : 302
Butterfly Valves, Delta-T : 294, 295, 296, 297, 298
Butterfly Valves, Ductile Iron : 295, 297
Butterfly Valves, GF : 302, 303, 304
Butterfly Valves, Hayward : 305, 306
Butterfly Valves, Lug Style : 297, 298, 304, 305, 308, 312
Butterfly Valves, Nil-Cor : 311
Butterfly Valves, Stainless Steel : 296, 298, 308
Butterfly Valves, Wafer Style : 295, 296, 302, 303, 306, 307, 309, 310, 311, 312
BVC Butterfly Valves : 312

C

Cam and Groove Fittings : 44, 45, 46, 47
Cartridge Filters : 379
Casework : 76
Cast Iron Pumps : 489
Celcon Tube Fittings : 28, 29, 30, 31, 32
Cement and Primer Applicators : 122
Cements, Primers and Cleaners : 119, 120, 121
Centra-Guard Leak Detection System : 175
Centrifugal Pumps : 460, 461, 462, 463, 464
Centurion Molded Fiberglass Grating : 564
Century Bulkhead Fittings : 54
Cepex Air/Vacuum Relief Valves : 293
Cepex Ball Valves : 224
Cepex Butterfly Valves : 302
Cepex Double Union Ball Check Valves : 279
Cepex Double Union Spring Check Valves : 279
Cepex Industrial True Union Ball Valves : 224
Cepex Wafer Check Valves : 289
Champion Wafer Check Valves : 287
Channel, Accessories : 569, 570, 573, 574, 575, 576, 577, 578, 579, 580
Channel, Fiberglass : 567
Channel, Fiberglass Fittings : 568
Channel, Metal : 573
Check Valves : 155, 276, 277, 278, 279, 280, 281, 282, 283, 284, 286, 287, 288, 289, 335
Check Valves, Ball : 276, 277, 278, 279, 280, 281
Check Valves, Clear PVC : 102
Check Valves, Self Closing : 283
Check Valves, Spring : 279
Check Valves, Swing : 284, 285, 286
Check Valves, Wafer : 287, 288, 289
Chemical Metering Pumps : 486
Chemical Transfer Pumps : 454, 455, 456, 457, 458
Chemtainer Tanks : 553, 554, 555, 556, 557
Chemtrol Ball Check Valves : 278
Chemtrol Ball Valves : 227, 228
Chemtrol Black PP Schedule 80 Piping System : 132, 133
Chemtrol Natural PP Schedule 80 Piping System : 130, 131
Chemtrol Natural Schedule 80 PVDF Piping System : 148, 149
Chemtrol Red PVDF Schedule 80 Piping System : 150, 151
Chemtrol Tru-Bloc True Union Ball Valves : 227
Chemtrol True Union Ball Valves : 228
Chlorine Systems : 425

Cistern Tanks : 540, 541, 542
Clamps, Double Bolt : 23
Clamps, Hose : 50
Clamps, Stainless Steel Hose : 51
Cleaners, Cements and Primers : 120
Clear PVC Pipe and Fittings : 100, 101
Clear PVC Reinforced Tubing : 16, 17
Clear PVC Schedule 80 Nipples : 101
Clear PVC Tubing : 13, 14, 15
Clear Reinforced Vacuum/Pressure Hose : 17
Clear UV Resistant PVC Pipe : 103
Clear Y-Strainers : 371, 372
Clevis Hangers : 570, 579
Colonial Ball Valves : 222, 230
Colonial Slo-Close True Union Ball Valve : 222
Compressed Air Piping System : 126, 127
Concentric and Eccentric Reducers : 65
Cone Bottom Tanks : 523, 524, 525, 526, 556
Constant Flow Valves : 334
Containment Fittings, Double, GF Fuseal Squared : 171, 172, 173, 174
Containment Fittings, Secondary, GF Contain-It : 167, 168
Containment Fittings, Secondary, GF Double-See : 169, 170
Containment Pipe, Double, GF Fuseal Squared : 171
Containment Pipe, Secondary, GF Contain-It : 167
Containment Pipe, Secondary, GF Double-See : 169
Containment Systems : 496, 497, 498, 499, 500, 501, 502, 503, 504, 505, 506, 507, 508, 509, 510
Containment Tank Basins : 549, 550, 551, 552
Containment Tanks : 530, 531, 547, 548
Control Ball Valves : 232, 233, 234, 235, 236, 237
Control Ball Valves, Bonomi : 236
Control Ball Valves, GF : 233
Control Ball Valves, Hayward : 232, 233
Controller Universal Multi-Color Display : 434
Corrosive Waste Drainage System : 206, 207, 208
Corrosive Waste Piping System : 178, 179, 180, 181, 182, 183, 184, 185, 186, 187, 188
Corzan Duct and Fittings : 66, 67, 68
Corzan Expansion Joints : 63
Couplings, Grooved Pipe : 93
Couplings, Quick Connector : 42, 43
CPVC Fittings, Spears LabWaste Drainage System : 206, 207, 208
CPVC Fume Hoods : 76
CPVC Pipe, Spears LabWaste Drainage System : 206
CPVC Schedule 80 Fittings : 95, 96, 97, 98
CPVC Schedule 80 Nipples : 99
CPVC Schedule 80 Pipe : 94
CPVC Sheet and Shapes : 72
CPVC Solvent Cements : 119
Cushion Clamps : 577
Cushion Strut Clamps : 574, 575
Custom Casework : 76
Custom High Temperature Tanks : 77
Custom Hoods : 76
Custom Scrubbers : 77
CustomGuard Double Containment Piping System : 175
Cut Groove Specifications : 585
Cutters : 123, 124
Cutting Tools and Accessories : 123, 124, 125

D

Deburring Tools : 124
Delta-T Butterfly Valves : 294, 295, 296, 297, 298
Diaphragm Pump Accessories : 480, 481, 482, 483
Diaphragm Pumps : 469, 470, 471, 472, 473, 474, 475, 476, 477, 478, 479
Diaphragm Valves : 155, 320, 321, 322, 323, 324
Diaphragm Valves, Asahi : 320, 321

Diaphragm Valves, GF : 322, 323
Diaphragm Valves, Hayward : 324
Digital Pressure Gauges : 344, 345
Display LED Universal Controller : 434
Diverter Valves : 355
Dixon Mini Filters : 129, 493
Dixon Mini Regulators : 129, 493
Dixon Stainless Steel Hose Clamps : 51
Double Bolt Clamps : 23, 50
Double Bond Hose Clamps : 50
Double Containment Piping System : 171, 172, 173, 174, 175, 176, 177
Drain Valves : 353
Drainage System, Corrosive Waste : 206, 207, 208
Drainage System, Spears LabWaste CPVC Corrosive Waste : 206, 207, 208
Drum Hand Truck : 510
Drum Pump Flow Meters : 459
Drum Pump Kit, Finish Thompson : 482
Drum Pumps : 452, 453, 454, 455, 456, 457, 458
Drum Stacking Systems : 499
Drum Storage : 499, 507, 508, 510
Drum Workstations : 499
Dry Disconnect, Manifold : 363
Dry Media Valve : 338
Dry Poppet Coupling : 244
Dry Pressure Gauges : 341
Dry-Disconnects, PP : 243
Dry-Disconnects, SS : 244
Dry-Mates : 243, 244
Dualline Tanks : 531
Duct and Fittings, PVC and CPVC : 66, 67, 68
Ductile Iron Butterfly Valves : 295, 297
DuraDek Fiberglass Grating : 562, 563
DuraDek Fiberglass Handrail System : 566

E

Eagle Spill Containment Systems : 496, 497, 498, 499, 500, 501, 502
Electric Actuators : 254, 300, 301
Electric Mixers : 490, 491, 493, 494
Electric Valves : 274, 275
Electrically Actuated 3-Way Ball Valves : 271
Electrically Actuated Ball Valves : 250, 251, 252, 253, 255, 256, 257, 258, 259, 260
Electrically Actuated Butterfly Valves : 313, 314, 315, 316
Electrodes, Signet : 413, 414, 415, 416, 417, 418, 419, 420
Electronic Metering Pumps : 484, 485
Elliptical Tanks : 521
Encase Acid Waste PP Double Containment Piping System : 175
Epoxy Coated Wafer Check Valves : 287
Expansion Joints : 63, 64
Extren Fiberglass Structural Shapes : 565

F

Fastenal PVC Schedule 80 Fittings : 89
Faucets : 337, 338
FDA Union Valves : 335
Feeder Tanks : 532, 545
Fiberglass Channel Fittings : 568, 569, 570
Fiberglass Channel Framing : 567
Fiberglass Grating : 562, 563, 564
Fiberglass Hand Rail Systems : 566
Fiberglass Structural Shapes : 565
Fiberglass Vertical Tanks : 511
Filter Bags : 379
Filter Cartridges : 379
Filter Regulator : 482
Filters, Mini : 129
Filtration, Bag and Cartridge Filters : 379

Finish Thompson Air Batch Controller : 480
Finish Thompson Air Cycle Counter : 481
Finish Thompson Centrifugal Pumps : 460, 461, 462, 463, 464
Finish Thompson Diaphragm Pump Accessories : 480, 481, 482
Finish Thompson Drum Pump Kit : 482
Finish Thompson FDA Diaphragm Pumps : 478, 479
Finish Thompson Liquid Level Control : 481
Finish Thompson Metal Diaphragm Pumps : 473, 474, 475, 476, 477, 479
Finish Thompson Plastic Diaphragm Pumps : 469, 470, 471, 472, 478
Finish Thompson Rechargeable Drum Pump Kits : 453
Fittings, Barbed Tube : 36, 37
Fittings, Black PP Schedule 80 : 132, 133
Fittings, Bulkhead : 52, 53, 54, 55, 56, 57, 58, 59
Fittings, Cam and Groove : 44, 45, 46, 47
Fittings, Clear PVC : 100, 101
Fittings, Containment, Double, GF Fuseal Squared : 171, 172, 173, 174
Fittings, Containment, Secondary, GF Contain-It : 167, 168
Fittings, Containment, Secondary, GF Double-See : 169, 170
Fittings, CPVC Schedule 80 : 95, 96, 97, 98
Fittings, CPVC, Spears LabWaste Drainage System : 206, 207, 208
Fittings, HD Pipe and Hose Barb : 48
Fittings, Hose Barb : 48, 49
Fittings, Metal Bulkhead : 55, 58, 59
Fittings, Metal Hose Barb : 49
Fittings, Natural PP Schedule 80 : 130, 131
Fittings, PE, GF Cool-Fit ABS Plus : 158, 159, 160, 161, 162, 163
Fittings, PE100, GF Ecofit Metric : 209, 210, 211, 212, 213, 214
Fittings, PP Cam and Groove : 45
Fittings, PP, GF Fuseal Corrosive Waste : 179, 180, 181, 182, 183, 184
Fittings, PP, GF PPro-Seal Natural : 203, 204, 205
Fittings, PP, GF Progef Euro Gray Standard : 190, 191, 192, 193, 194, 195, 196, 197, 198
Fittings, PP, GF Progef Natural : 199, 200, 201, 202
Fittings, PTFE, Micromold Fluor-O-Flo : 156
Fittings, PVC and PVDF Cam and Groove : 44
Fittings, PVC Fabricated : 111, 112, 113, 114
Fittings, PVC Schedule 40 : 108, 109, 110, 115
Fittings, PVC Schedule 40 Gray : 104, 105, 106
Fittings, PVC Schedule 80 : 86, 87, 88, 89, 90
Fittings, PVC, GF Lxt Clear Ultra Pure : 152, 153, 154
Fittings, PVDF, Chemtrol Natural Schedule 80 : 148, 149
Fittings, PVDF, Chemtrol Red Schedule 80 : 150, 151
Fittings, PVDF, GF Fuseal 25/50 Corrosive Waste : 185, 186, 187, 188
Fittings, PVDF, GF Sygef Plus HP : 142, 143, 144, 145, 146, 147
Fittings, PVDF, GF Sygef Standard : 134, 135, 136, 137, 138, 139, 140, 141
Fittings, Stainless Steel : 215
Fittings, Stainless Steel Reinforced : 90
Fittings, Tube : 27, 28, 29, 30, 31, 32, 33, 34, 35, 40, 41, 42, 43
Fittings, Tube Twist And Lock : 41
Flange Backup Ring : 214
Flange Gaskets : 61, 62
Flange Ring : 202
Flange Spray Shields : 435
Flange to Flange Bolt Kits : 61
Flat Bottom Tanks : 511, 512, 513, 514, 515, 516, 553, 554, 555, 557
Float Switches : 451
Flotect Vane Operated Flow Switches : 436
Flow Indicators : 351
Flow Sensors, GF Signet : 400, 401, 402, 403, 404, 405, 406, 407, 408, 409
Flow Switches : 433, 435, 436
Flowline Accessories : 449
Flowline DataLoop IS Level Indicator : 439
Flowline DataView Level Controller : 439
Flowline EchoPod Multi-Function Ultrasonic Transmitter : 442, 443
Flowline EchoPod Ultrasonic Level Transmitter : 442
Flowline EchoSafe Ultrasonic Level Transmitter : 440



Industrial Products, Inc.

35th Edition

800-849-3030

Visit our Specialty websites
clearpvcpipe.com • banjovalves.com
drumpumps.com • asahivalves.com • alscoplastics.com